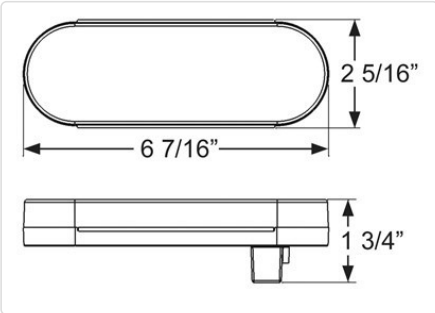


## HYPERX



### STL572 SERIES

#### STL572RB

Red stop/turn/tail light, PL-3 connection

Polypack part no. STL572RBP

<b>Color</b>	Red
<b>Diodes</b>	12
<b>Lumens</b>	--
<b>Mount</b>	Grommet
<b>Connection</b>	PL-3
<b>Pack Qty</b>	10
<b>FMVSS</b>	S T I
<b>Housing Material</b>	Polycarbonate
<b>Lens Material</b>	Polycarbonate
<b>Voltage</b>	12V
<b>Amp Draw</b>	.174 Stop/Turn, .007A Tail
<b>Warranty</b>	Lifetime LED Warranty
<b>Weight</b>	0.331 lbs.
<b>Size/Shape</b>	6" Oval
<b>Dimensions (W x H x D)</b>	6.438 x 2.313 x 1.750

### Accessories

Bulk	Description	Qty
A70GB	Grommet for 6" lights, PVC black 80%, 65-75 durometer	50
BK70BB	Steel mounting bracket for 6" lights, powder coated, black	10
A45PB	Three-pin PL-3 straight pigtail, 10" leads, ring terminal on ground, stripped wire ends on power leads	100
A47PB	Three-pin PL-3 right angle pigtail, 10" leads, ring terminal on ground, stripped wire ends on power leads	100