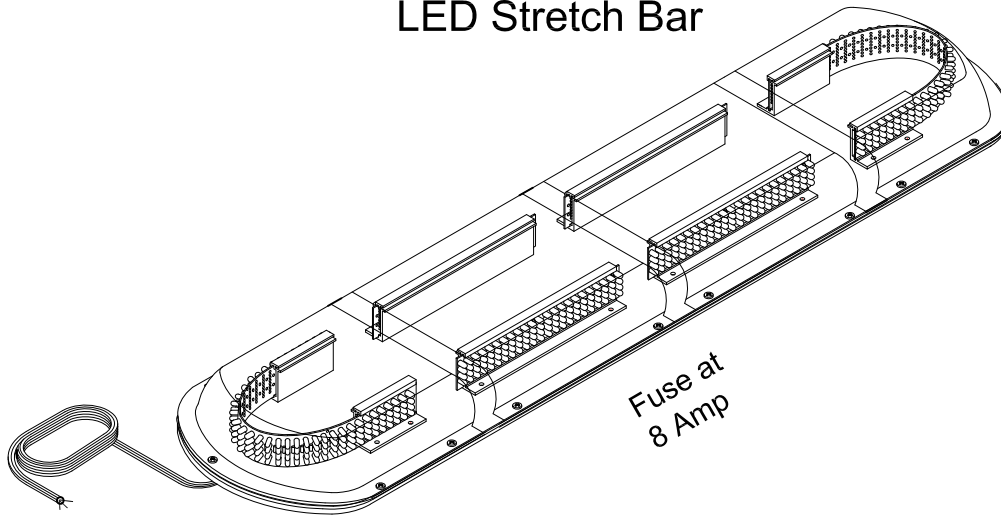




MODEL NO. 11.1237
Permanent Mount
LED Stretch Bar



GENERAL INFORMATION:

The **SHO-ME**® LED Stretch Bar is equipped with a Solid State Flasher. The flasher has 7 flash patterns including random. To change flash patterns momentarily apply +12v to the white, mode wire. Each time +12v is applied, the flash pattern will change.

FLASH PATTERNS

Double Alternating
Quad Alternating
Quint Alternating
Mega Alternating

Double Simultaneous
Quad Simultaneous
Random

INSTALLATION INSTRUCTIONS:

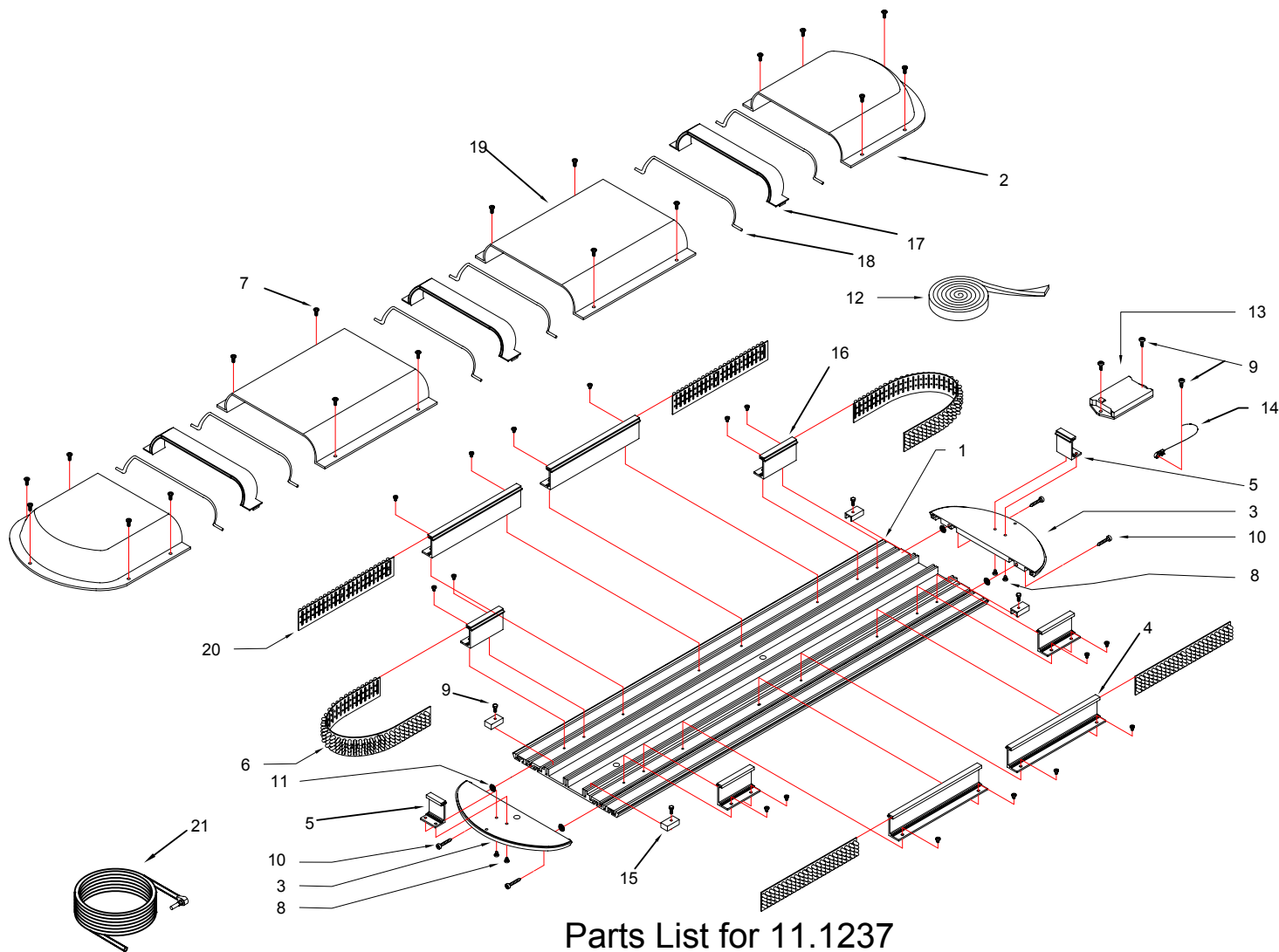
Determine location to mount your LED Stretch Bar. Attach bolts to bottom of your **SHO-ME**® LED Stretch Bar. Keep in mind airbag deployment area and any other obstacles. Run wire inside of vehicle and connect to switch. A momentary switch is required to change flash patterns.

If mounting this product requires drilling holes, the installer **MUST** be sure that no vehicle components or other vital parts could be damaged by the drilling process. Check both sides of the mounting surface before drilling begins. Also de-burr any holes and remove any metal shards or remnants. Install grommets into all wire passage holes.

Use only soap and water to clean the outer lens. Use of other chemicals could result in premature lens cracking and discoloration. Lenses in this condition have significantly reduced effectiveness. Inspect and operate this product regularly to confirm its proper operation and mounting condition. **Do not use a pressure washer to clean this product.**



PRODUCTS COMPANY • 804 East Hwy. 248 • Cassville, MO 65625
U.S. and Canada Toll Free Numbers • Phone: 800-641-4098 FAX: 800-526-1240
E-mail: sales@able2products.com WEB: www.able2products.com



**Parts List for 11.1237
LED Stretch Bar
Permanent Mount**

ITEM	MODEL NO.	DESCRIPTION	QTY
1	90.4986.000	31" Long Extrusion	1
2	90.6137.C00	Clear Lexan End Cover	2
3	90.6125.000	Black Plastic Endcaps	2
4	90.6938.000	7 3/ 4" Blk Plastic LED mount	4
5	90.6938.000	1 1/ 4" Blk Plastic LED mount	2
6	11.95160.000	End Standard LED Panel (A,B,G,R or W)	2
7	90.4002.000	#01-0143 #8 x 1/ 2 812 Screw	18
8	90.4072.000	1/ 4" #6-32 Phillips	20
9	90.4772.000	8-32x3/ 8 Unslot HexHD SS	18
10	90.4021.SS	Endcap Self Tapping Screws	4
11	90.4530.000	#8 External Tooth Lock washer	4
12	90.6039.000	1/ 8" X 3/ 4" Blk Foam Adhesive 88"	1
13	11.1010.SF	LED Flasher 4-output	1
14	61.0651.000	7" Cable Ties	12
15	95.2120.000	Rubber Shim	4
16	90.6938.000	2-3/ 4" Cut Plastic	4
17	90.6138.000	Jointer Piece	3
18	90.6747.000	Rubber Gasket 1' ea	6
19	90.6136.000	Clear Lexan 10" Middle Lens	2
20	11.9590.000	Long Standard LED Panel (A,B,G,R or W)	4
21	44.0183.GMT	Power Cable 4 Wire 15 ft W/gromet	1